



**PX92 Series
mV/V Output**

**0-5,000 to 0-100,000 psi
0-350 to 0-7,000 bar**

1 bar = 14.5 psi
1 kg/cm² = 14.22 psi
1 Atmosphere = 14.7 psi = 29.93 in-Hg = 760.2 mm-Hg = 1.014 bar

- FM/CSA Approved Intrinsically Safe - Standard**
- All Stainless Steel Case**
- Compensated Temperature to 260°C (500°F)**
- Operating Temperature to 316°C (600°F)**
- Hermetically Sealed for Harsh Environments**

The OMEGADYNE™ PX92 Series is a rugged, ultra high temperature pressure transducer. Special construction material and strain gages, allow the PX92 to operate up to 316°C (600°F) with high temperature compensation of 260°C (500°F). It is hermetically sealed, has all stainless steel construction and is designed for the harshest environments encountered in ultra high temperature test chambers. The PX92 is available in pressures up to 100,000 psi. Electrical connection is a 10 ft (3m) 4 conductor cable. The pressure connection is via a High Pressure ferrule connection. FM and CSA approved Intrinsically safe is standard.

**For Sales and Service
In U.S.A. and Canada**

**1-800-872-3963SM
1-800-USA-DYNE**

**International Customers Dial
(614) 965-9340
24-Hour FAX (614) 965-9438**

OMEGADYNESM FAX

OMEGADYNE's 24-Hour
On-Line Publishing Service

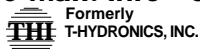
**1-800-344-3963SM
1-800-DIG-DYNE**

Document # 3715

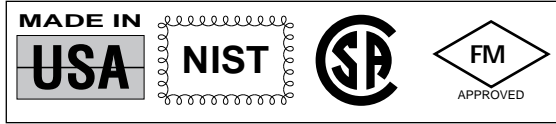
OMEGADYNE, Inc.

149 Stelzer Court, Sunbury, OH 43074
<http://www.omegadyne.com>

e-mail: info@omegadyne.com



© COPYRIGHT 1996 OMEGADYNE, INC. ALL RIGHTS RESERVED.



**SPEC SHEET
PX92-MV**

*Interchangeable with
Model TH-HPT-HT*

**ULTRA HIGH TEMPERATURE /
HIGH PRESSURE TRANSDUCERS**
Operating Temperature up to 316°C (600°F)



\$1700

PX92N0-50KSV
*Shown Smaller Than
Actual Size*

► *Most Popular Models Highlighted* ◀

Prices Shown in U.S. Dollars

To Order: (Specify Model Number)			
Range (psi)	Model Number	Price	Compatible Meters
Cable Style, Ultra High Temperature, Sealed Gage Pressure			
0-5,000	PX92N0-5KSV	\$1700	INFS, INFCS
0-10,000	PX92N0-10KSV	1700	INFS, INFCS
0-15,000	PX92N0-15KSV	1700	INFS, INFCS*
0-20,000	PX92N0-20KSV	1700	INFS, INFCS*
0-30,000	PX92N0-30KSV	1700	INFS, INFCS*
0-35,000	PX92N0-35KSV	1700	INFS, INFCS*
0-50,000	PX92N0-50KSV	1700	INFS, INFCS*
0-60,000	PX92N0-60KSV	1700	INFS, INFCS*
0-80,000	PX92P0-80KSV	1900	INFS, INFCS*
0-100,000	PX92P0-100KSV	1900	INFS, INFCS*

* 4 Digit meter

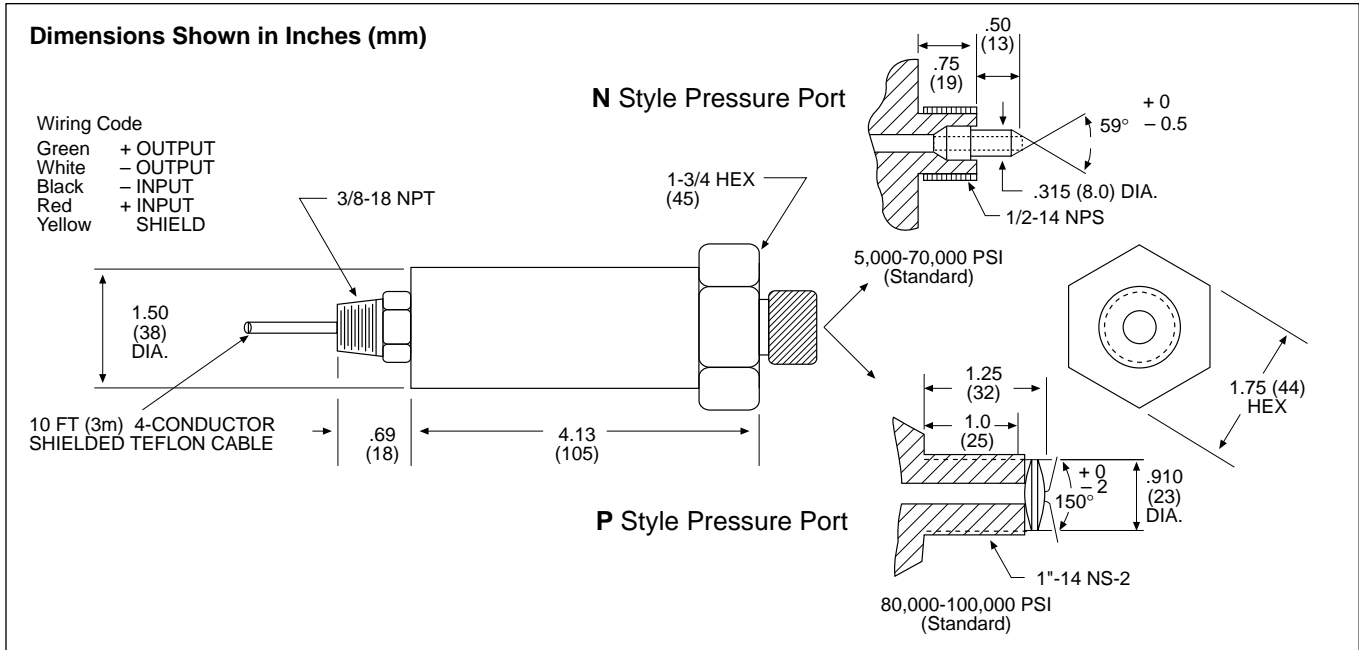
Interchangeable with Model TH-HPT-HT Metric Ranges Available - Consult Engineering

Ordering Examples: 1.) PX92N0-50KSV is a 50,000 psi Sealed Gage model with 1/2-14 NPS connection, \$1700.

2.) PX92P0-80KSV is an 80,000 psi Sealed Gage model with 1-14 NS connection, \$1900.

Printed On Recycled Paper





SPECIFICATIONS: mV/V Output

Electrical:
Excitation: 10 V ac/dc (15 V max)
Output: 1 mV/V $\pm 0.25\%$
Bridge Resistance: 350 Ohms nominal
Zero Balance: $\pm 2.5\%$ FSO
Agency Approvals: FM/CSA
 Intrinsically Safe IS/I.II.III/1/CDEFG
 Standard
Performance:
Accuracy Class: 0.5%
Linearity: $\pm 0.5\%$ FSO
Hysteresis: $\pm 0.10\%$ FSO
Repeatability: $\pm 0.10\%$ FSO

Environmental:
Operational Temp Range:
 +21 to +316°C (+70 to +600°F)
Compensated Temp Range:
 +21 to +260°C (+70 to +500°F)
Thermal Effects:
 Span: 0.005% Rdg/°F
 Zero: 0.05% FSO/°F
Pressure:
Proof Pressure:
 5K to 50K psi: 120% of rated pressure
 60K to 100K psi: 110% of rated pressure
Burst Pressure:
 5K to 50K psi: 150% of rated pressure
 60K to 100K psi: 120% of rated pressure

Wetted Parts:
 5 to 50K: 17-4 PH Stainless Steel
 60K to 100K: 455 Stainless Steel
Pressure Port: 5K to 70K psi:
 1/2-14 NPS (use 0.315 dia. 59° ferrule)
 > 70K psi: 1-14 NS-2 (use 0.910 dia. 150° ferrule)
Electrical Connection: 10 ft (3m)
 4-conductor shielded Teflon cable

CUSTOM CONFIGURATIONS:

SERIES	PRESSURE PORT [1]	ELECTRICAL CONNECTION [2]	RANGE (PSI) [3]	UNITS [4]	OUTPUT [5]	OPTIONS [6]
PX92	[1]	[2]	5K 10K 15K 20K 30K 35K 50K 60K 80K 100K	S = Sealed Gage	V = mV/V	
Ranges $\leq 70,000$ psi N = 1/2-14 NPS use with .315 dia 59° ferrule Ranges $> 70,000$ psi P = 1-14 NS-2 use with .910 dia. 150° ferrule			\$1700			
0 = 10 ft (3m) Teflon Cable \$4.50/ft over 10 ft (3m)			\$1900			

To Order a Custom Configuration:

1. Select a Pressure Port
2. Select Electrical Connection
3. Select a Pressure Range
4. Select Pressure Units
5. Select Output
6. Select Agency Approvals

Interchangeable with Model TH-HPT-HT

Metric Ranges Available - Consult Engineering

To order extra Teflon cable on Cable Style models, add suffix “-(length in feet)FT” and \$4.50/ft over the standard 10 ft (3m) length.

- Ordering Examples:** 1.) **PX92P0-100KSV** is a 100,000 psi Sealed Gage Pressure range model with, mV/V output, 1-14 NS-2 fitting, and 10 ft (3m) Teflon cable, \$1900.
 2.) **PX92N0-50KSV-25FT** is a 50,000 psi Sealed Gage Pressure range model with mV/V output, 1/2-14NPS fitting and 25 ft (7.6m) Teflon cable, \$1700+\$67.50 = \$1767.50
 3.) **PX92P0-80KSV** is an 80,000 psi Sealed Gage Pressure range model with m, V/V output, a 1-14 NS-2 fitting and 10 ft (3m) Teflon cable, \$1900.